

**AB AVIA**  
BATHWARE



Tel: (+613) 9791 5898  
Fax: (+613) 9791 3718

Email: [info@aviabathware.com.au](mailto:info@aviabathware.com.au)  
Website: [www.aviabathware.com.au](http://www.aviabathware.com.au)  
Address: 98 Indian Drive, Keysborough,  
VIC 3173, Australia

**AB AVIA**  
BATHWARE



*Bath Collection*  
2026/27



## FREESTANDING BATH

---

### FLUTED

- 03 HENLEY
- 05 LAMONT
- 07 TRINA
- 09 KIRA
- 10 ANIKA

### FREESTANDING

- 11 SOPHIE
- 12 OLIVIA
- 13 CHARMING
- 14 NOVA

### BACK TO WALL

- 15 HANNAH

### BACK TO CORNER

- 17 HARPER
- 





# HENLEY

**Code:** SY-991

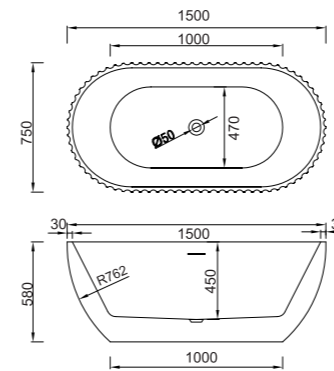
**Features:**

- With Channeled Detailing
- Adjustable Levelling Legs
- Sanitary Grade Acrylic
- Available in two sizes

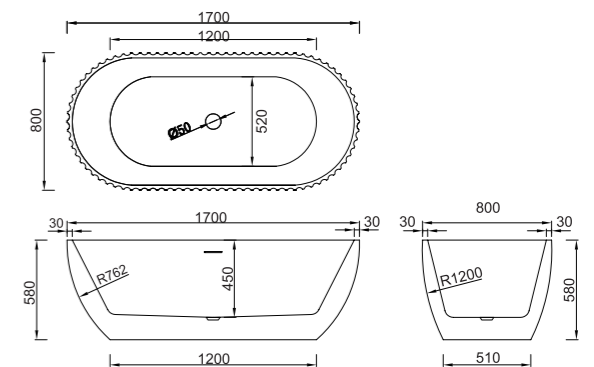
**Colour:** Matt White



**Overflow**



**Size:** 1500(L)x750(W)x580(H) mm  
**Net Weight:** 36kg



**Size:** 1700(L)x800(W)x580(H) mm  
**Net Weight:** 42kg



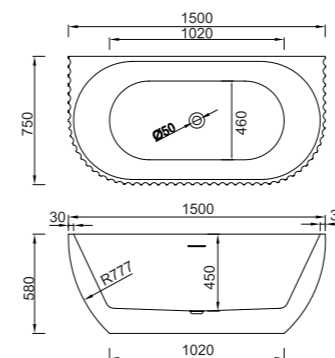
# LAMONT

**Code:** SY-996

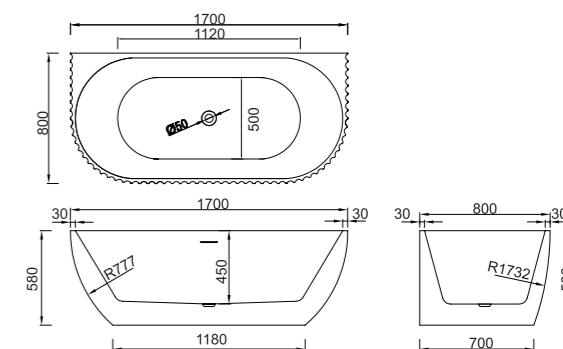
**Features:**

- With Channeled Detailing Back to Wall Design
- Adjustable Levelling Legs
- Sanitary Grade Acrylic
- Available in two sizes

**Colour:** Matt White



**Size:** 1500(L)x750(W)x580(H) mm  
**Net Weight:** 49kg



**Size:** 1700(L)x800(W)x580(H) mm  
**Net Weight:** 53kg



# TRINA

**Code:** SY-981

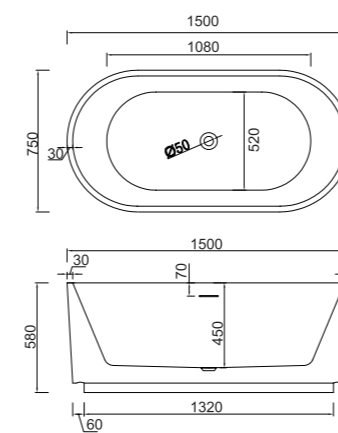
**Features:**

- Fluted Feature Oval Shape Design
- Adjustable Levelling Legs
- Sanitary Grade Acrylic
- Available in two sizes

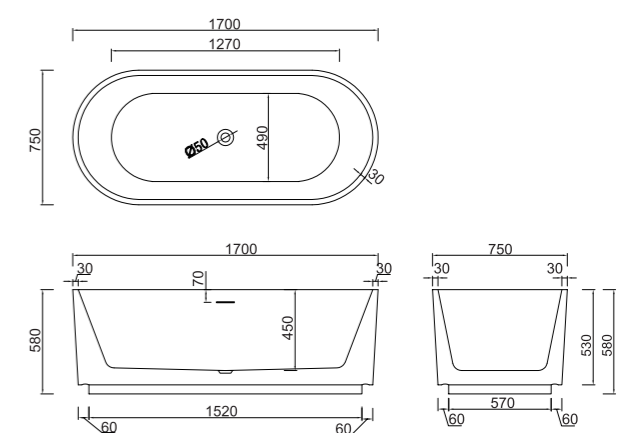
**Colour:** Gloss white/Matt White



**Overflow**



**Size: 1500(L)x750(W)x580(H) mm**  
**Net Weight: 42kg**



**Size: 1700(L)x750(W)x580(H) mm**  
**Net Weight: 49kg**



# KIRA

**Code: SY-986**

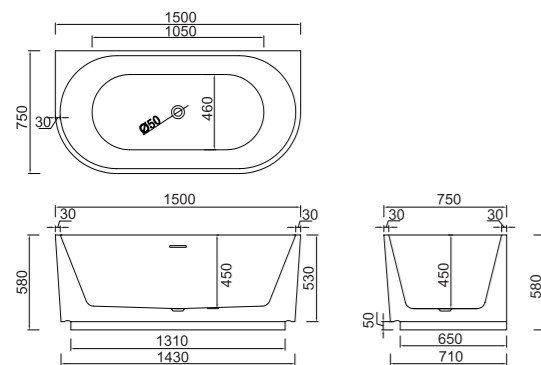
**Features:**

- Fluted Feature Back to Wall Design
- Adjustable Levelling Legs
- Sanitary Grade Acrylic
- Available in two sizes

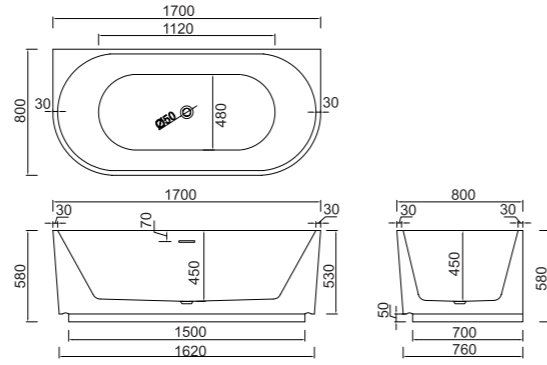
**Colour:** Gloss white



**Overflow**



**Size: 1500(L)x750(W)x580(H) mm**  
**Net Weight: 50kg**



**Size: 1700(L)x800(W)x580(H) mm**  
**Net Weight: 53kg**

# ANIKA

**Code: SY-983**

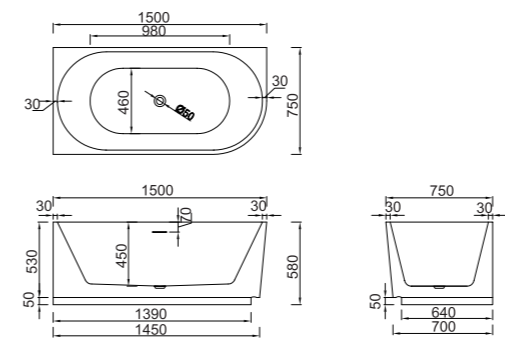
**Features:**

- Fluted Feature Back To Corner Design
- Adjustable Levelling Legs
- Sanitary Grade Acrylic
- Available in two sizes

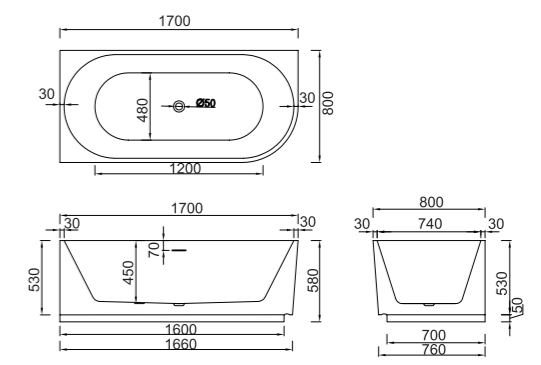
**Colour:** Gloss white



**Overflow**



**Size: 1500(L)x750(W)x580(H) mm**  
**Net Weight: 53kg**



**Size: 1700(L)x800(W)x580(H) mm**  
**Net Weight: 58kg**



# SOPHIE

**Code: SY-196**

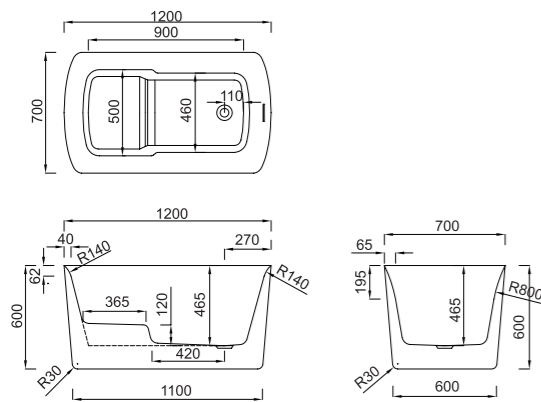
**Features:**

- Space-efficient bathtub optimised for compact bathroom layouts.
- Adjustable Levelling Legs
- Sanitary Grade Acrylic
- Available in 1200mm length

**Colour:** Gloss white



**Overflow**



**Size: 1200(L)x700(W)x600(H) mm**  
**Net Weight: 53kg**



# OLIVIA

**Code: SY-611**

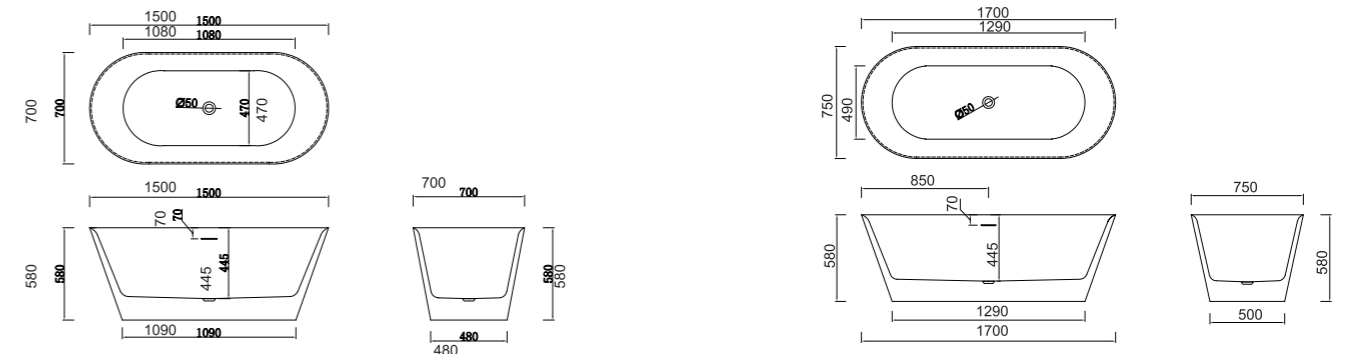
**Features:**

- Modern 8mm Ultra Slim Rims Freestanding Bathtub
- Adjustable Levelling Legs
- Sanitary Grade Acrylic
- Available in two sizes

**Colour:** Gloss white



**Overflow**



**Size: 1500(L)\*700(W)\*580(H) mm**  
**Net Weight: 45kg**

**Size: 1700(L)\*750(W)\*580(H) mm**  
**Net Weight: 48kg**



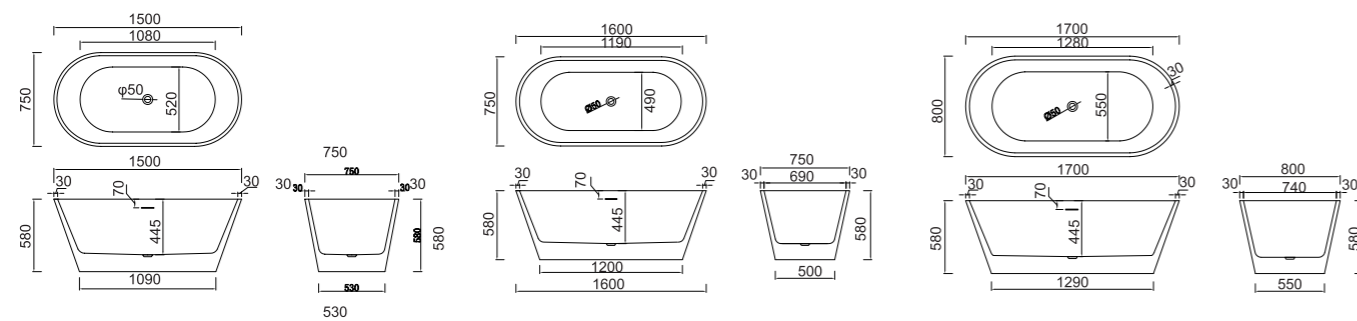
# CHARMING

**Code: SY-111**

**Features:**

- Modern Freestanding Bathtub
- Adjustable Levelling Legs
- Sanitary Grade Acrylic
- Available in three sizes

**Colour:** Gloss white



**Size: 1500(L)x750(W)x580(H) mm**  
**Net Weight: 48kg**

**Size: 1600(L)x750(W)x580(H) mm**  
**Net Weight: 53kg**

**Size: 1700(L)x800(W)x580(H) mm**  
**Net Weight: 57kg**

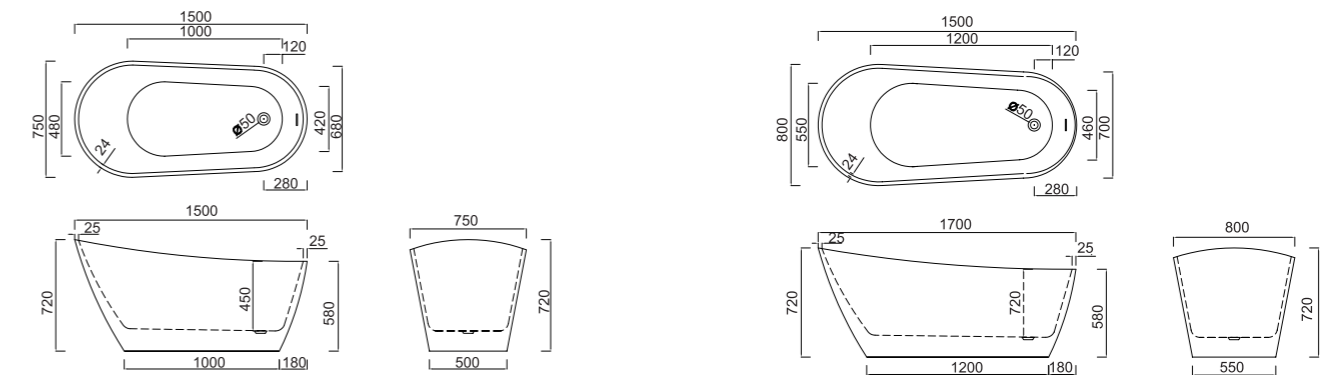
# NOVA

**Code: SY-128**

**Features:**

- Beautiful Slipper-Style Design
- Adjustable Levelling Legs
- Sanitary Grade Acrylic
- Available in two sizes

**Colour:** Gloss white



**Size: 1500(L)x750(W)x700(H) mm**  
**Net Weight: 42kg**

**Size: 1700(L)x800(W)x730(H) mm**  
**Net Weight: 46kg**



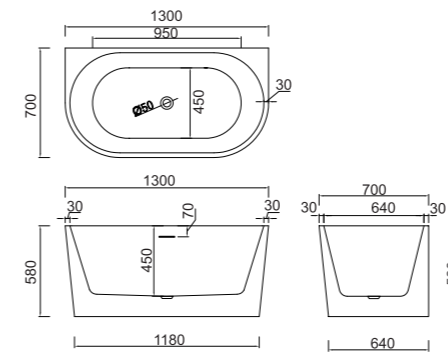
# HANNAH

**Code:** SY-191

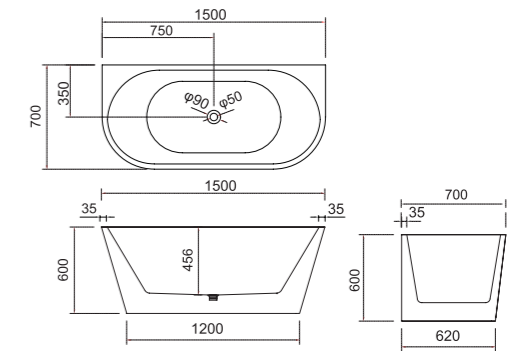
**Features:**

- Modern Back to Wall Bathtub
- Adjustable Levelling Legs
- Sanitary Grade Acrylic
- Available in three sizes

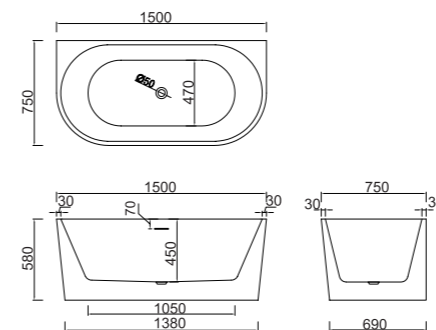
**Colour:** Gloss white



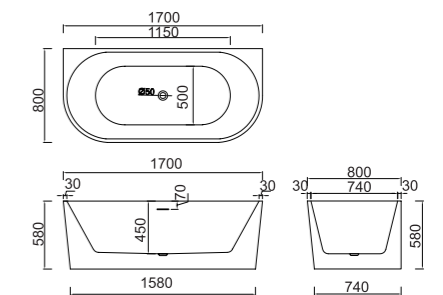
**Size: 1300(L)x700(W)x580(H) mm**  
**Net Weight: 40kg**



**Size: 1500(L)x700(W)x600(H) mm**  
**Net Weight: 50kg**



**Size: 1500(L)x750(W)x580(H) mm**  
**Net Weight: 46kg**



**Size: 1700(L)x800(W)x580(H) mm**  
**Net Weight: 53kg**



For more spec information, please visit our website.



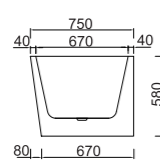
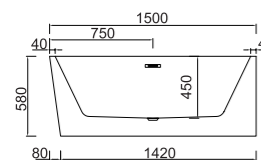
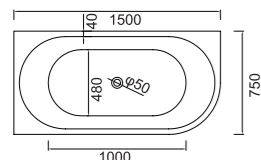
# HARPER

Code: SY-190

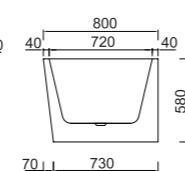
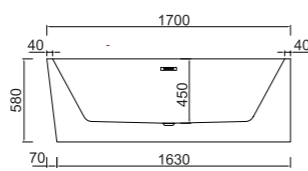
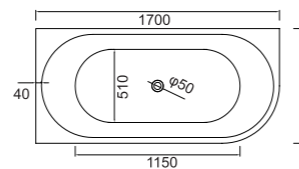
**Features:**

- Modern Back to Corner (L/R) Bathtub
- Adjustable Levelling Legs
- Sanitary Grade Acrylic
- Available in two sizes

**Colour:** Gloss white



**Size: 1500(L)x750(W)x580(H) mm**  
**Net Weight: 50kg**



**Size: 1700(L)x800(W)x580(H) mm**  
**Net Weight: 54kg**

**AVIA**  
 BATHWARE

*Relax In Style*